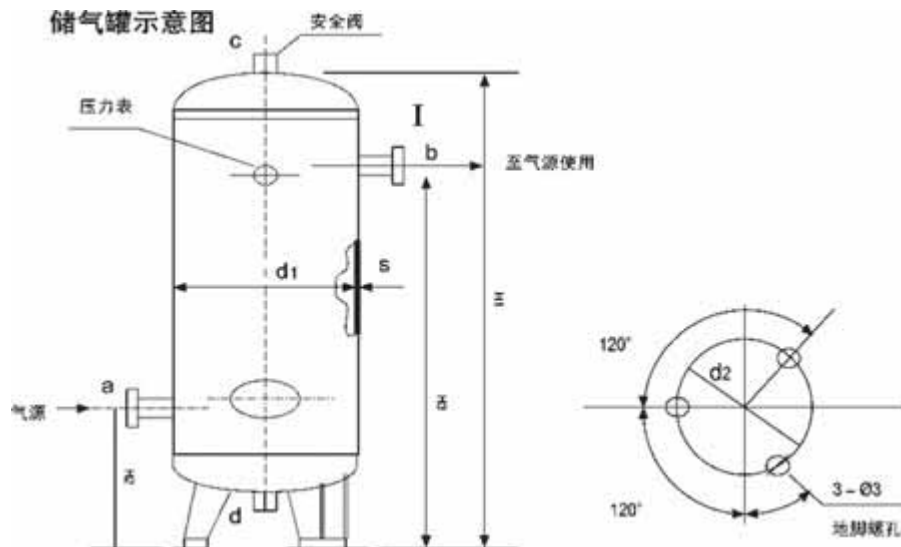


# Air Treatment



## Shenjiang Receiver Tank

Shenjiang Receiver Tank is designing and manufacturing unit of D1 and D2 pressure vessel, which has been approved by State Bureau of Quality and Technical Supervision. It is the largest manufacturer of D1 and D2 air system (gas storage tank) at home. Shanghai Shengjiang gas storage tank can produce serialization standing storage tank of capacity from 0.3m<sup>3</sup> to 70m<sup>3</sup>, totally over 100 specifications. In addition, Shenjiang Receiver Tank can design and manufacture other various D1 and D2 pressure vessels according to users' requirements.



According to users' requirements, our company can customize various models of natural gas storage tank, liquefied gas storage tank, air storage tank and

compressed air storage tank, which can store a certain amount of gas with stable output pressure, meanwhile, it can decrease gas temperature and remove part of water, dust and impurities. Gas storage tank adopts high quality material with advanced welding technology and has got ISO9001 certificate.